

Surname		Boat Type	
First Name		Business name	

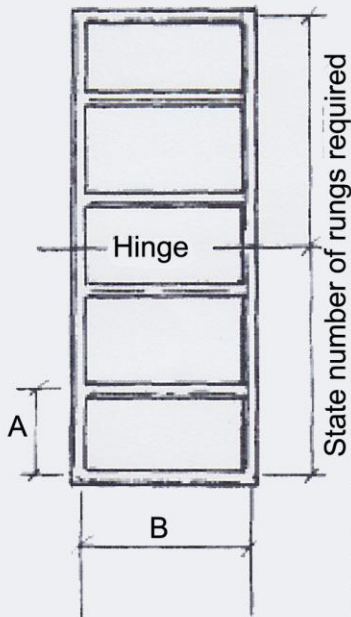
Boarding Ladders

Customers are asked to complete all dimensions relevant to the type ladder/boat.

Ladders supplied fixed or hinged as shown.

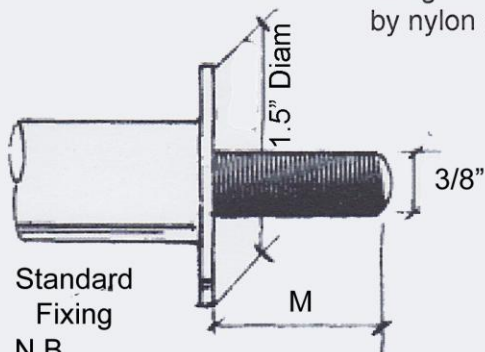
Available in 1" Diam & 1.25" Diam tube.

Please state which is required



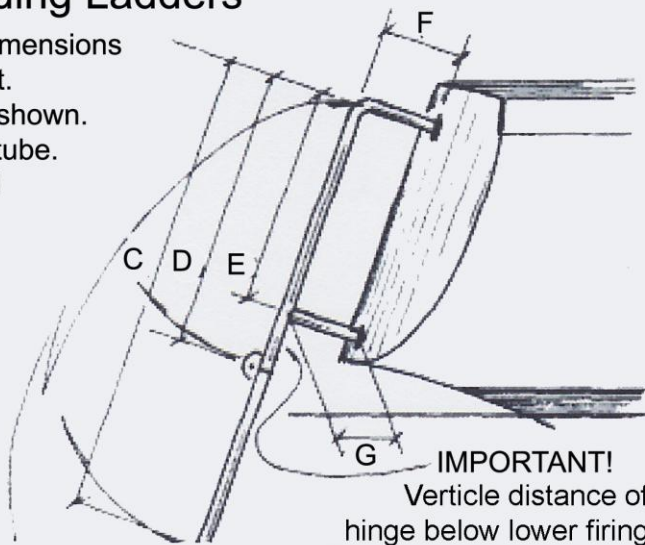
Specify if hinge is also required at top of ladder to facilitate stowage on pushpit.

Note If ladder is hinged at upper bracket, lower fixings are replaced by nylon plug.

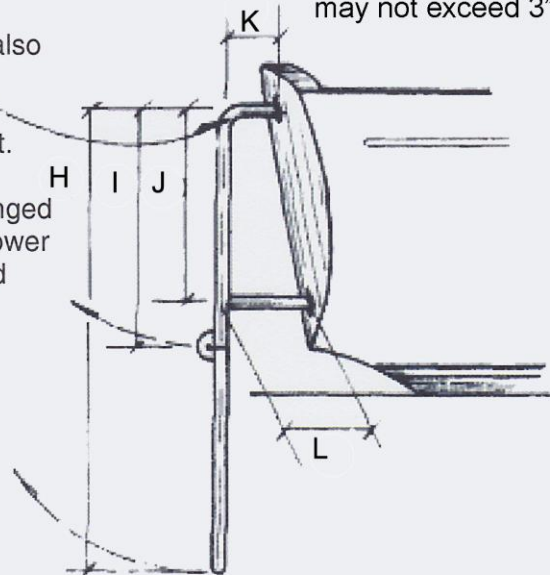


Standard Fixing
N.B.

When specifying length of fixing stud, allow for any packing (customer to supply) which may be required to compensate for transom curvature.



IMPORTANT!
Verticle distance of hinge below lower firing may not exceed 3"



Fixed (non folding) ladders available

Ladders are fabricated from type316 S16 Stainless Steel- fully polished.

A	B	C	D	E	F	G	H	I	J	K	L	M

Ladder options

- ¾" Tube
- 1" Tube
- Hinge at upper bracket yes
- Hinge at lower bracket no